



**Assembly and Operating Instructions for Outback®
Spectrum 2 Burner, Spectrum 3 Burner Hooded
With Side Burner Gas Barbecues**



Photographs are not to scale.
Specifications subject to change
without prior notice.



CE 0359



WARNING

- For outdoor use only.
- Read instructions before using the appliance. Failure to follow instructions could result in death, serious bodily injury, and/or property loss.
- Warning: accessible parts may be very hot. Keep young children away.
- Do not move the appliance during use.
- Turn off the gas supply at the gas bottle after use.
- Any modification of the appliance, misuse, or failure to follow the instructions may be dangerous and will invalidate your warranty. This does not affect your statutory rights.
- Retain these instructions for future reference.
- Leak test annually, and whenever the gas bottle is removed or replaced.

FOR YOUR SAFETY

If you smell gas:

1. Shut off gas to the appliance.
2. Extinguish any open flame.
3. Open barbecue lid or hood.
4. If odour continues, discontinue use and contact your local dealer.

FOR YOUR SAFETY

1. Do not store or use petrol or other flammable vapours or liquids in the vicinity of this or any other appliance.
2. A gas bottle not connected for use shall not be stored in the vicinity of this or any other appliance.

A. Parts List

Quantities vary according to model purchased. Specifications subject to change without prior notice. For more details on hardware, please see 'Hardware Reference Diagram'.

	CODE	PART	QTY	Outback® Spectrum 2 Burner Hooded	Outback® Spectrum 3 Burner Hooded
HOOD	A1	Hood Handle	1	✓+▲	✓+▲
	A2	L/H Hood Handle Bracket	1	✓+▲	✓+▲
	A3	R/H Hood Handle Bracket	1	✓+▲	✓+▲
	A4	Hood (<i>Pre-Assembled to Body</i>)	1	✓+▲	✓+▲
	A5	Hood Panel	1	✓+	✓+
	A6	Heat Indicator and Nuts	1	✓+	✓+
BODY	B1	Body (<i>see Part A1: Hood</i>)	1	✓+▲	✓+▲
	B2	Burner	★	2+	3+
	B3	Control Panel	1	✓+▲	✓+▲
	B4	Knob	★	2+	3+
	B5	Large Briquettes	1	✓	✓
	B6	Small Briquettes	1	✓	✓
	B7	Large Cooking Grill	1	✓+▲	✓+▲
	B8	Small Cooking Grill	1	✓+▲	✓+▲
	B9	Small Cooking Griddle	★		1+
	B10	Drip Tray	1	✓▲	✓▲
	B11	Drip Tray Handle	1	✓	✓
	B12	Hose and Hose Clip	1	✓	✓
	B13	Warming Rack	1	✓▲	✓▲
TROLLEY	C1	Side Burner Shelf	2	✓	✓
	C2	Front Left Leg	1	✓	✓
	C3	Rear Left Leg	1	✓	✓
	C4	Front Right Leg	1	✓	✓
	C5	Rear Right Leg	1	✓	✓
	C6	Side Shelf	1	✓	✓
	C7	Screen	1	✓▲	✓▲
	C8	Leg Endcap	2	✓+	✓+
	C9	Wheel	2	✓	✓
	C10	Hubcap	2	✓	✓
	C11	Axle	1	✓	✓
	C12	Trolley Base	1	✓▲	✓▲
HARDWARE	D1	Trolley Bolt	24	✓	✓
	D2	Body Support Bolt	8	✓	✓
	D3	Spacer	8	✓	✓
	D4	Washer	2	✓	✓
	D5	Locknut	2	✓	✓
	D6	Handle Bolt	2	✓	✓

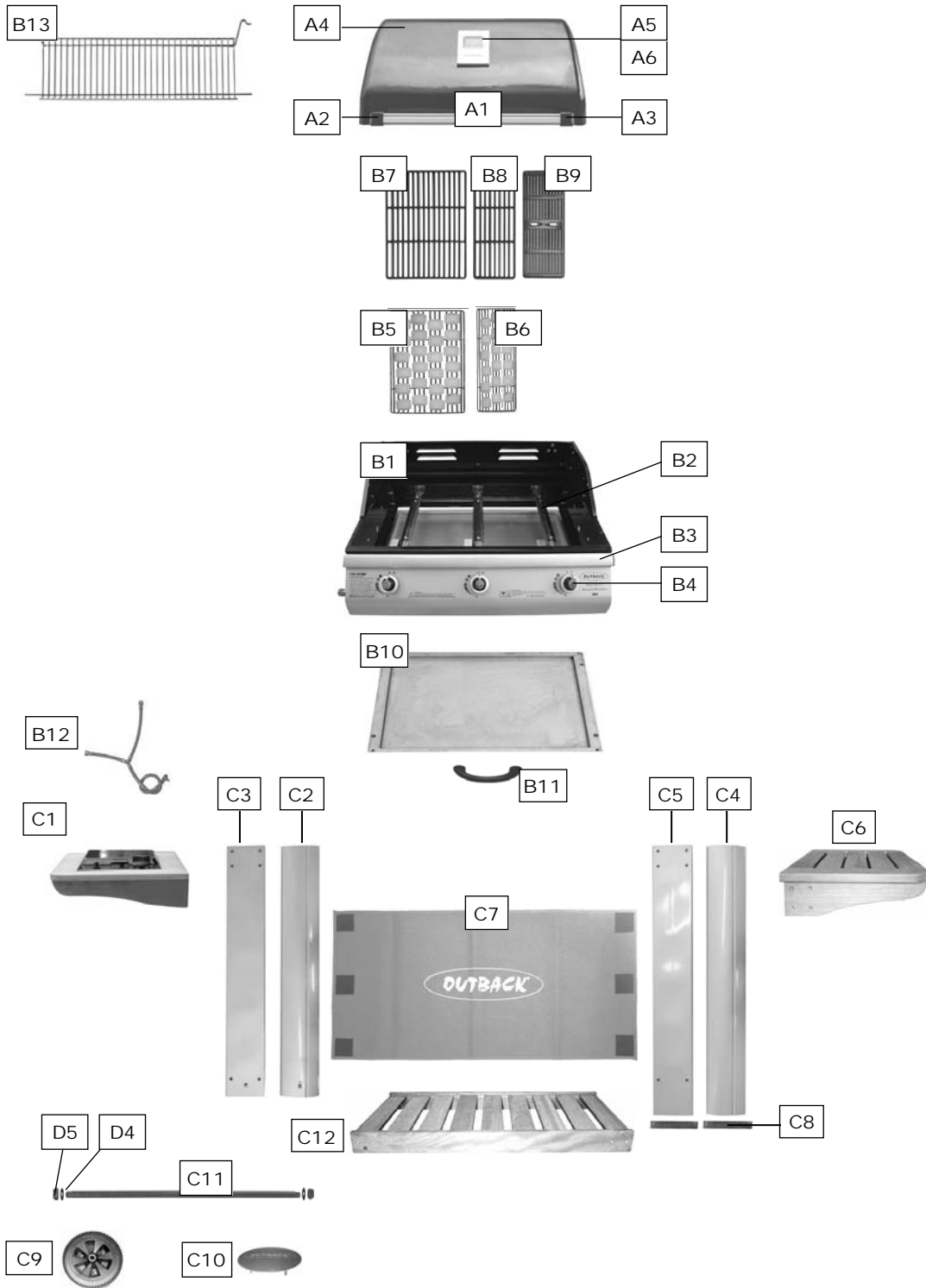
✚ Pre-Assembled Component

★ Quantity varies according to model purchased

▲ Appearance, size, and construction may differ according to model purchased

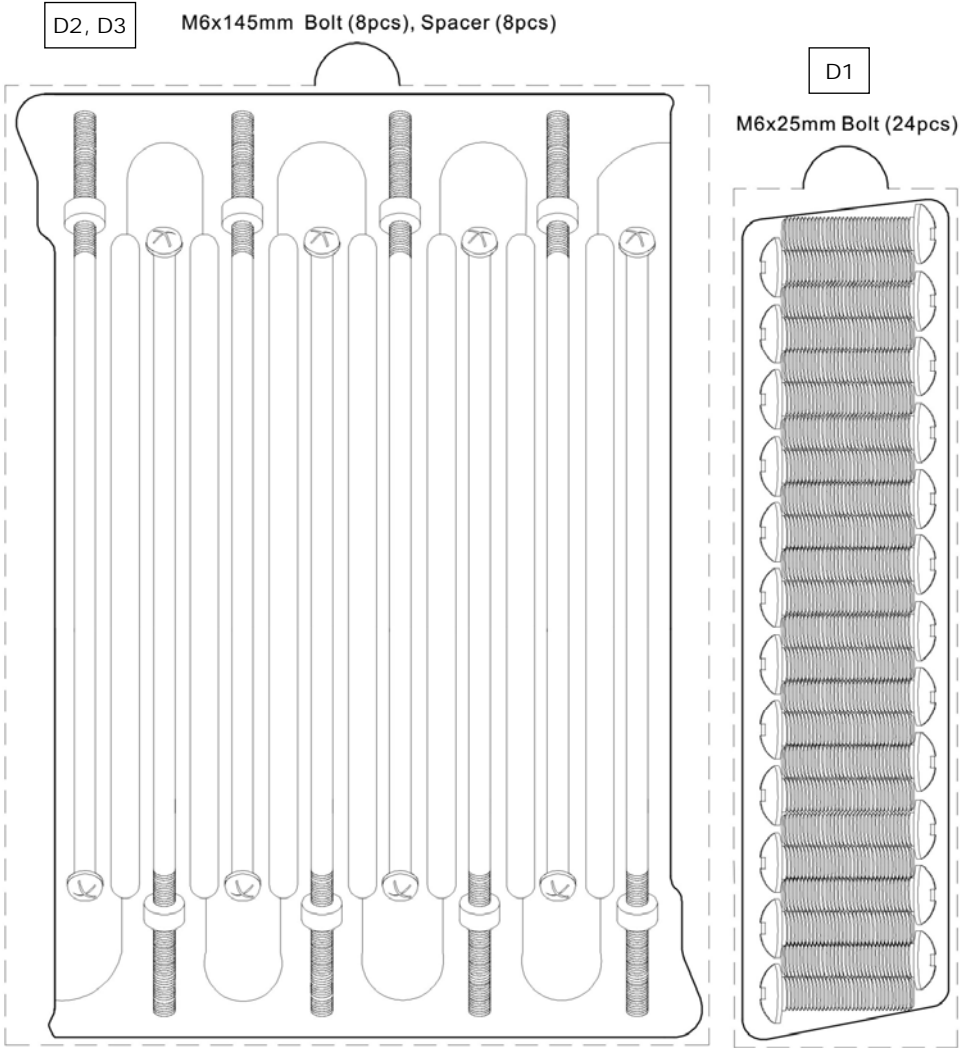
B. Parts Diagrams

Quantities vary according to model purchased. Specifications subject to change without prior notice. For more details on hardware, please see hardware pack page.



C. Hardware Reference Diagram

Specifications subject to change without prior notice.



D. Assembly

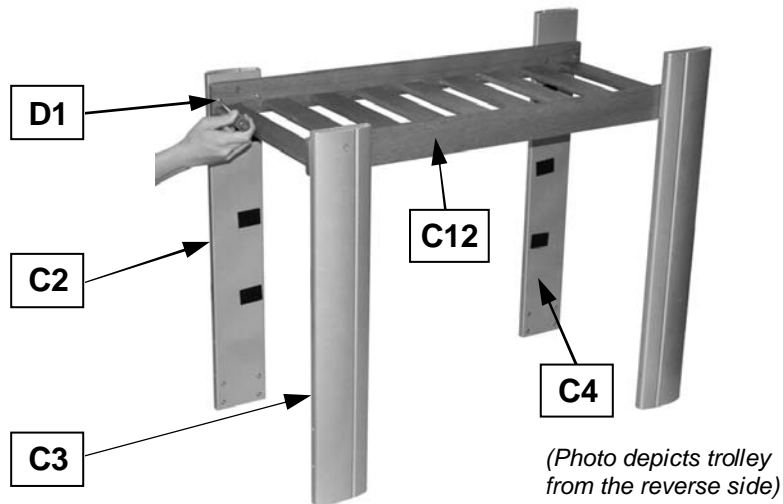
TOOLS NEEDED FOR ASSEMBLY:

Medium size flat blade or Phillips/crosspoint screwdriver, adjustable spanner or metric spanner set.

The assembly of this barbecue requires 2 people.

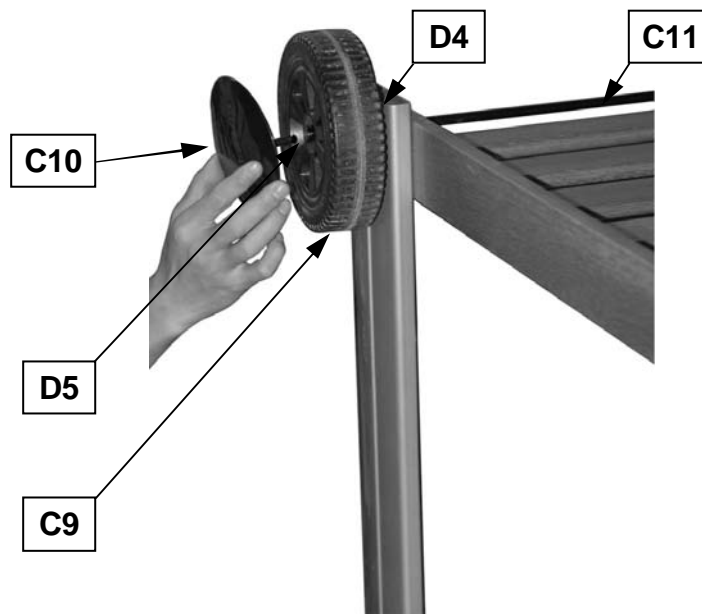
Whilst every care is taken in the manufacture of this product, care must be taken during assembly in case sharp edges are present.

1



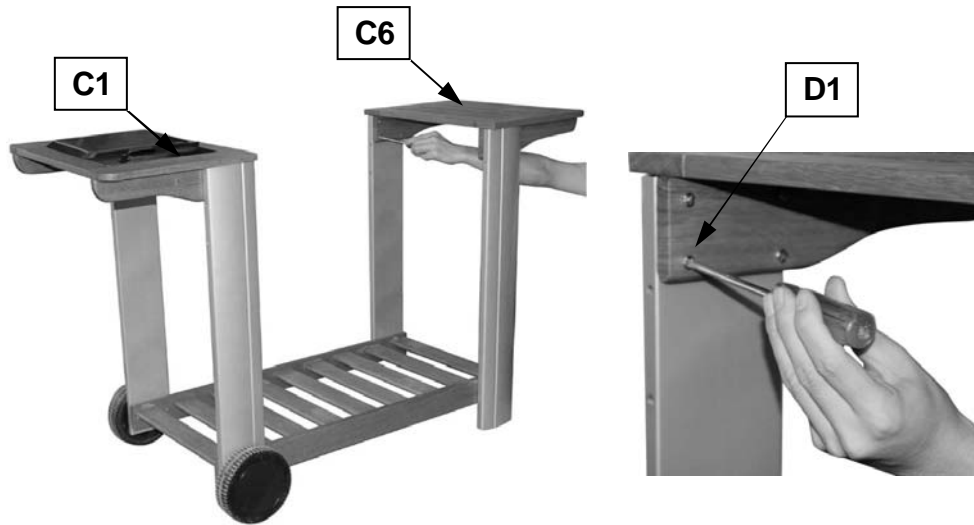
Attach the legs (C2,C3,C4,C5) to the trolley base (C12) using the trolley bolts (D1). Take care to fix the legs with Velcro attached as shown in the illustration.

2



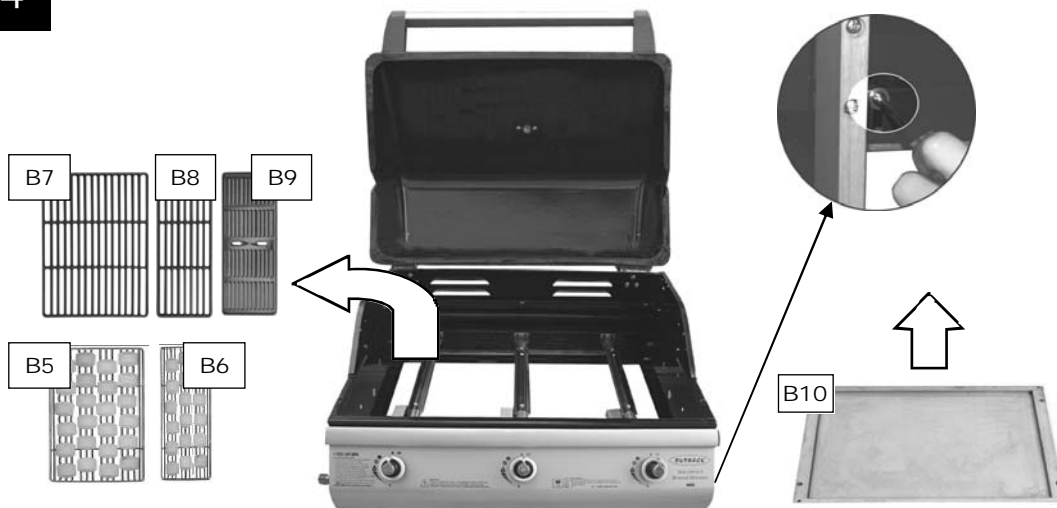
Slide the axle (C11) through the corresponding holes in the short legs. Place a washer (D4) on each end of the axle. Slide the wheels (C9) over each end of the axle. Secure the wheels into place with the locknuts (D5). Snap the hubcaps (C10) into the wheels.

3



Attach the side burner shelf (C1) and side shelf (C6) to the front/rear left legs (C2,C3) and front/rear right legs (C4,C5) using the trolley bolts (D1).

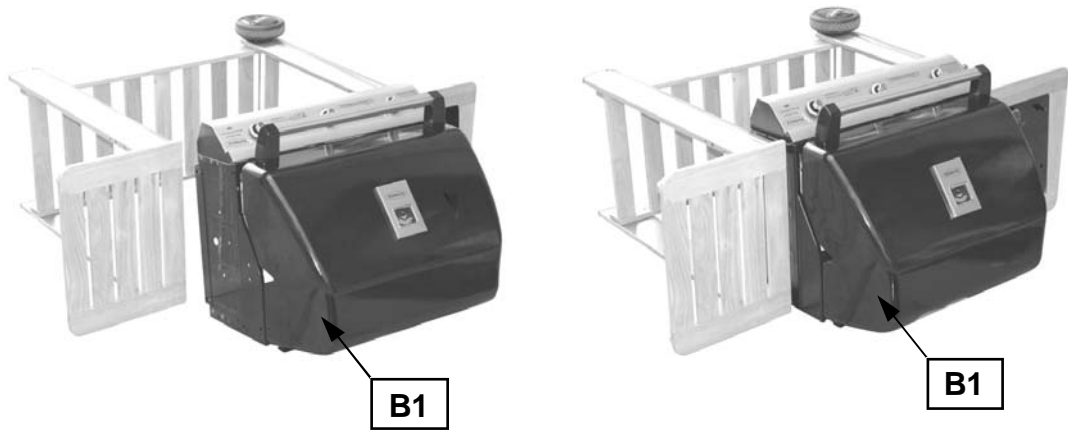
4



Remove all cast iron cooking components, Briquettes, drip tray, and any internal packaging from the barbecue body.

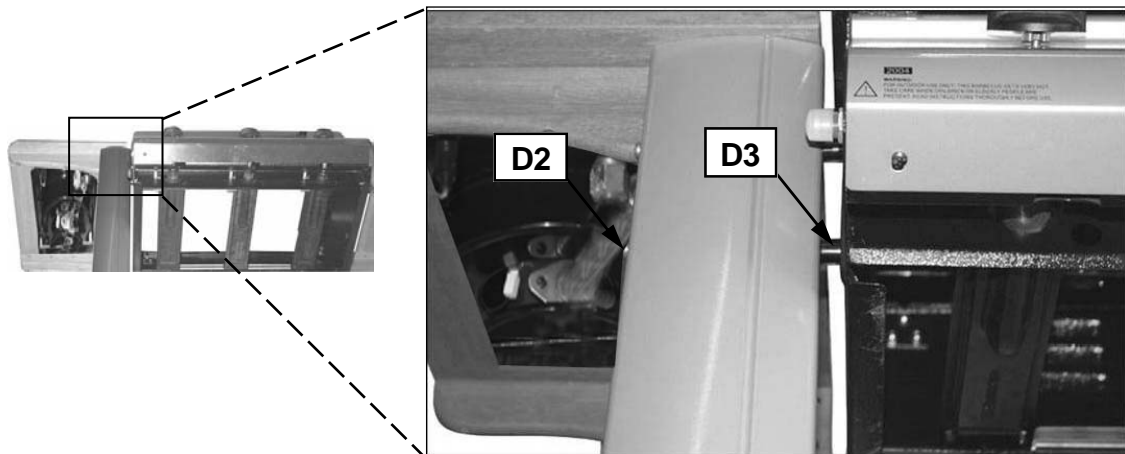
Note: Loosen off the bolts and move the brackets down to their lowest position. Retighten the bolts.

5



Lay the assembled trolley on its side. Lay the body (B1) on its back and slide into position between the trolley legs. **Warning:** Care must be taken to ensure hood does not fall open unexpectedly. When positioning the body of the barbecue, ensure the control panel is on the same side as the legs with Velcro fastenings.

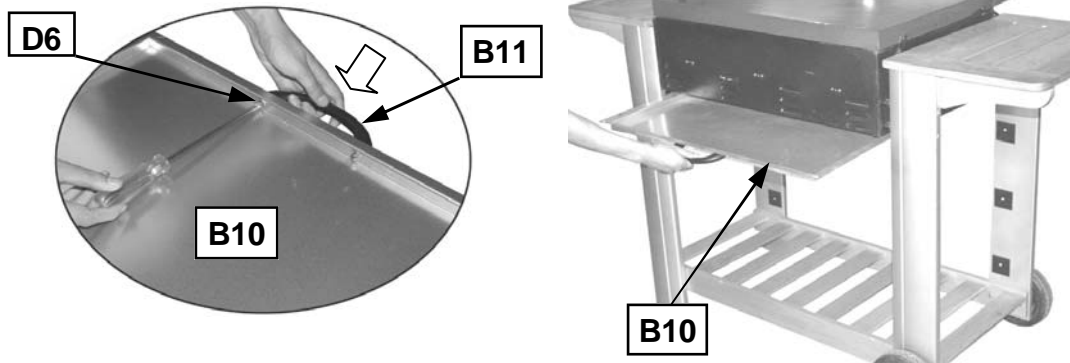
6



With the barbecue laid on the ground, insert a body support bolt (D2) through the short leg, through a spacer (D3), and secure the bolt into the sidewall of the body. Repeat the process for all the legs until the body is completely fixed to the trolley.

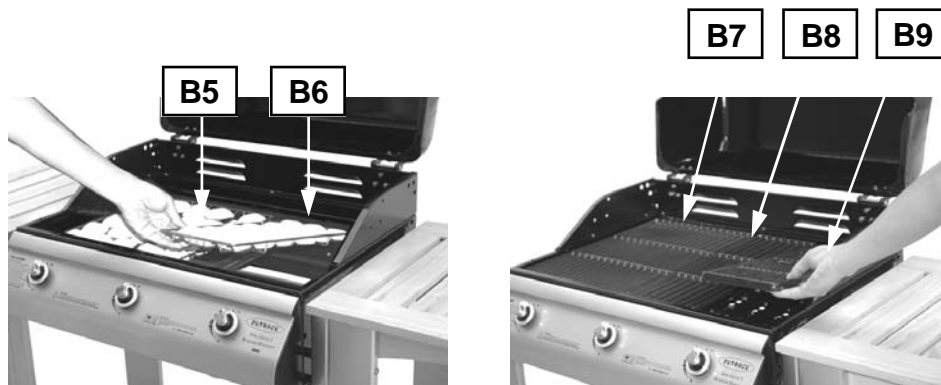
NOTE: When positioning the body of the barbecue, ensure the control panel is on the same side as the legs with Velcro fastenings.

7



Attach the drip tray handle (B11) to the drip tray using the handle bolts(D6). Put the drip tray underneath the body (B1) from back side or front side.

8



Remove the plastic wrap from the briquettes(B5,B6) and lay them carefully into the body ensuring they lie level within the body. Lay the cooking grill(s) (B7) (B8)and griddle (B9) into place.

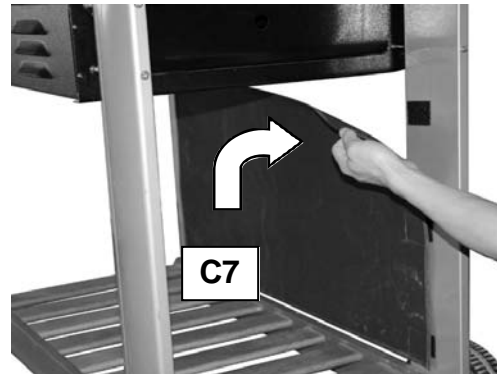
2 burner model configuration: Left — Large Cooking Grill, Large Briquettes, Right — Small Cooking Grill, Small Briquettes;
3 burner model configuration: Left — Large Cooking Grill, Large Briquettes, Middle — Small Cooking Grill, Small Briquettes, Right — Small Griddle Plate.

9

(Rear view of the barbecue trolley.)



Attach the warming rack (B13) to the hood as shown.



Attach the screen (C7) to the front left/right legs as shown.

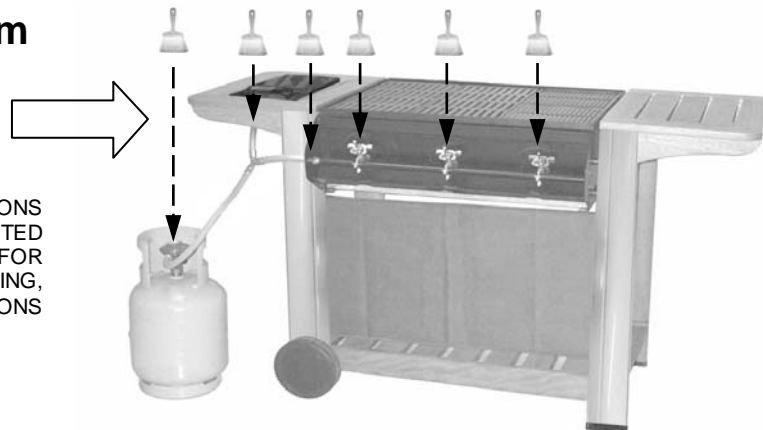
10

Connect the gas hose (B12) to the BBQ. Ensure the mating faces of the connection are clean and not damaged. Do not use any sealing tape, paste or liquid on the joint. The nut must be tightened with a spanner. Do not use force which may damage the assembly.



Leak Test Diagram

ALL JOINTS AND CONNECTIONS MUST NOW BE LEAK TESTED BEFORE USING THE BBQ. FOR DETAILS OF LEAK TESTING, PLEASE REFER TO INSTRUCTIONS ON PAGE 11.



**ASSEMBLY IS NOW COMPLETE.
PROCEED TO THE NEXT PAGE FOR INSTRUCTIONS ON OPERATION AND MAINTENANCE.**

E. Important Information

Please read these instructions carefully before assembly and use.

- ▲ Retain these instructions for future reference.
- ▲ For outdoors use only – do not use indoors. Do not use below ground level.
- ▲ For use with LPG bottled gas only. A regulator of 28-30mbar must be used for butane or 37mbar for propane.
- ▲ Remove plastic wrap from any part before lighting.
- ▲ Do not use within 1m of any flammable structure or surface.
- ▲ LP gas cylinders should not be placed directly underneath the barbecue.
- ▲ LP gas cylinders must not be stored or used in the horizontal position. A leak would be very serious and liquid could enter the gas line.
- ▲ Open the barbecue hood before lighting.
- ▲ Do not move the barbecue while alight.
- ▲ This barbecue must not be left unattended when lit.
- ▲ The hood handle can become very hot. Grip only the centre of the handle. Use of a cooking glove is advised.
- ▲ Use caution when opening the hood, as hot steam inside is released upon opening.
- ▲ Parts of this barbecue become very hot – care must be taken when children, elderly people, and animals are present.
- ▲ Always turn off the gas bottle when the barbecue is not in use.
- ▲ Never cover a barbecue until completely cooled.
- ▲ Leak test annually, and whenever the gas bottle is removed or replaced.
- ▲ Do not store flammable materials near this barbecue.
- ▲ Do not use aerosols near this barbecue.
- ▲ Failure to follow the manual's instructions could result in serious injury or damage.
- ▲ If you have any queries regarding these instructions, contact your local dealer.

F. Gas and Regulator

This barbecue, hose, (and regulator, if included), are approved for use in the UK. The barbecue is also approved for use in other countries as listed on the control panel and in the Technical Specifications included in the barbecue manual. If

the barbecue is intended to be used outside of the UK, the consumer **MUST** seek advice from the local qualified gas supplier as to the suitability of the barbecue and with regards to the correct hose and regulator that they should be using.

This barbecue can use either propane or butane LPG bottled gas. Propane bottles, normally red coloured, will supply gas all year round, even on cold winter days. A spanner may be required to change gas bottles. Butane bottles, normally blue, will supply sufficient gas in summer, but performance of the barbecue may be affected once the gas temperature starts to fall below +10° C. The bottle should never be stood on the trolley base and placed directly under the barbecue. Gas bottles should never be stored or used laid on their side. Never store gas bottles indoors.

For optimal performance, we suggest the following:

Model	Butane Minimum Bottle Size	Propane Minimum Bottle Size
Outback® Spectrum 2 Hooded	15kg	6kg
Outback® Spectrum 3 Hooded	15kg**	10kg

** Can be used but the maximum heat output will be restricted

Suitable regulators for butane must have an outlet pressure of 28-30mbar. For propane, the regulator must have an outlet pressure of 37mbar. **YOU MUST HAVE THE PROPER REGULATOR AND BOTTLE IN ORDER FOR THE BARBECUE TO OPERATE SAFELY AND EFFICIENTLY. USE OF AN INCORRECT OR FAULTY REGULATOR IS DANGEROUS AND WILL INVALIDATE ANY WARRANTY.** Please consult your local gas dealer for the most suitable gas bottles and regulators.

G. Installation

G1. Selecting a Location

This barbecue is for outdoor use only and should be placed in a well-ventilated area. Take care to ensure that it is not placed UNDER any combustible surface. The sides of the barbecue should NEVER be closer than 1 metre from any combustible surface. Keep this barbecue away from any flammable materials!

G2. Precautions

Do not obstruct any ventilation openings in the barbecue body. Position the gas supply bottle on level ground next to the barbecue and safely away from any source of heat. Should you need to change the gas bottle, confirm that the barbecue is switched off, and that there are no sources of ignition (cigarettes, open flame, sparks, etc.) near before proceeding. Inspect the gas hose to ensure it is free of any twisting or tension. The hose should hang freely with no bends, folds, or kinks that could obstruct free flow of gas. Apart from the connection point, no part of the hose should touch any hot barbecue parts. Always inspect the hose for cuts, cracks, or excessive wear before use. If the hose is damaged, it must be replaced with hose suitable for use with LPG and meet the national standards for the country of use. The length of the hose shall not exceed 1.5m. *N.B.- The date on U.K. orange hose is the date of manufacture, not the expiry date.*

G3. Fixing the Regulator to the Gas Bottle

Confirm all barbecue control knobs are in the off position. Connect the regulator to the gas bottle according to your regulator and bottle dealer's instructions.

G4. Leak Testing (To be performed in a well-ventilated area.)

Confirm all control knobs are in the off position. Detach the barbecue control panel located across the front of the barbecue body by pulling off the control knobs and removing the control panel retaining screws. Open the gas control valve on the bottle or regulator. Check for leaks by brushing a solution of ½ water and ½ soap over all gas system joints, including all valve connections, hose connections and regulator connections. NEVER USE AN OPEN FLAME to test for leaks at anytime. If bubbles form over any of the joints, there is a leak. Turn off the gas supply and retighten all joints. Repeat test. If bubbles form again, do not use the barbecue. Please contact your local dealer for assistance. Leak test annually, and whenever the gas bottle is removed or replaced.

H. Operation

H1. ▲Warnings

- ▲ Before proceeding, make certain that you understand the IMPORTANT INFORMATION section of this manual.
- ▲ This barbecue is not designed to be used with more than 50% of the cooking area as a solid plate. Full coverage of plates will cause

excessive build-up of heat and damage the barbecue.

H2. Preparation Before Cooking

Line the drip tray with aluminium foil and fill the drip tray with dry sand. This will absorb excess cooking fat and make cleaning easier. To prevent foods from sticking to the porcelain, please use a long handled brush to apply a light coat of cooking or vegetable oil before each barbecuing session.

H3. Lighting the Barbecue Using the Integra-Spark Integrated Ignition System

- Open the roasting hood of your barbecue before lighting.
- Open the gas control valve on the gas bottle or regulator.
- Push the control knob of the burner you wish to light and turn it anti-clockwise until you feel resistance to the turning. Pause 4 seconds, then continue turning the control knob until a click is heard and the burner is lit. Repeat previous step 4-5 times until the burner is lit. Ignite any of the remaining burners in any order, as needed. Confirm each burner is alight before igniting another burner. If any burner fails to ignite after following above procedure, turn all the knobs to the off position. Close the gas valve on the gas bottle. Wait five minutes. Reattempt all of the above steps. If the barbecue still fails to light, please refer to the manual ignition instructions below.
- After ignition, turn the burners to the high position for 3-5 minutes in order to pre heat the barbecue. This should be done before each cooking session. When pre heating is complete, cooking can begin, taking extra care if burners are left in the high position.

H4. Manual Lighting Instructions

- Insert lit match through the leftmost match-lighting hole on the underside of the control panel and place near leftmost burner porthole.
- Push and turn the leftmost control knob anti-clockwise to the high position.
- When the left burner is lit, turn the remaining burners on from left to right.
- Confirm that each burner is alight before turning on the next burner.
- If leftmost burner fails to light, contact your local dealer for assistance.
- After lighting, turn the burners to the high position for 3-5 minutes in order to pre heat the barbecue. This should be done before each cooking session. When pre heating is complete, cooking can begin, taking extra care if burners are left in the high position.

H5. Side Burner Pushbutton Lighting

1. Raise side burner lid.
2. Turn control knob to high position.
3. Press starter button 3 - 4 times until burner is lit.
4. If burner fails to light, turn off and wait 5 minutes, then try again. If burner still does not light, see the manual side burner lighting instructions.

H6. Side Burner Manual Lighting

1. Raise side burner lid.
2. Turn control knob to high position.
3. Place a lit match near the burner until the burner ignites.
4. If burner fails to light, turn off and wait 5 minutes, then try again. If burner still does not light after repeated attempts, call your local dealer for assistance.

H7. Grill Cooking

The burners heat the briquettes beneath the grill that, in turn, heats the food. The natural juices produced during cooking fall onto the briquettes and vaporise to form smoke. The smoke then rises and 'bastes' the food, giving it that unique barbecued flavour.

When using your barbecue for grill cooking you may wish to place the hood in the closed position which will hold the heat in to aid cooking.

H8. Griddle Plate Cooking

The burners heat the griddle plate directly, which then cooks the food on contact. Plates allow for the cooking of smaller items, such as seafood, which could fall through the spaces of a grill. They are also suitable for cooking items that require high-temperature/short-duration cooking, such as vegetables and smaller cuts of fish. Similarly, it can be used in exactly the same way as a griddle in the kitchen, for searing steaks, cooking eggs, etc. Alternatively, it can be used for heating pans or keeping food warm.

H9. Warming Rack.

Warming racks are a convenient way to keep cooked food warm or to warm items such as bread rolls. Care should be taken to ensure that any items placed on the warming rack are cooked through and do not continue to cook and drip fat or meat juices, which could drip onto the lid and down the back of the barbecue.

H10. Roasting Hood Cooking

Barbecues equipped with a roasting hood give the option of cooking with hood closed to form an 'oven' for roasting food, such as joints of

meat, whole chickens, etc.

When roasting, turn the burner directly under the food to the OFF position. Turn all other burners to a LOW to MEDIUM position and close the hood. Avoid lifting the hood unnecessarily as heat is lost every time the hood is opened. Use the temperature gauge to check the heat of the barbecue. **DO NOT ALLOW YOUR BARBECUE TO OVERHEAT.**

H11. Rotisserie Operation Instructions

1. Carefully remove the cast iron cooking surfaces and the warming rack from the barbecue.
2. Slide one of the spit forks onto the spit rod and tighten its thumb screw to secure it into place. Insert the pointed end of the spit rod into the meat being cooked and slide the meat towards the center of the rod. Make sure the fork is fully into the meat. Slide the other fork onto the rod, into the meat, and tighten the thumb screw once in place. For optimal rotisserie cooking, food must be placed securely onto the middle of the spit rod and balanced so that the rotisserie can rotate freely without interference from any barbecue surfaces. Any loose sections of meat should be secured so they do not hang down and interfere with the rotation of the spit rod.
3. Insert the pointed end of the spit rod into the motor. Lay the other end of the spit rod onto the opposite bracket.
4. Light the grill as specified in your barbecue's instructions.
5. Turn on the rotisserie motor to begin rotisserie cooking. The hood has been designed so that it may be closed during rotisserie cooking.
6. Always cook foods on the lowest flame setting to avoid burning or overcooking.

H12. Flare-Up Control

Flare-ups occur when meat is barbecued, and its fat and juices fall upon the hot briquettes. Smoke helps give food its barbecued flavour, but avoid excessive flare-up to prevent food being burned. To control flare-up, it is advisable to trim away excess fat from meat and poultry before grilling. To reduce flare-ups, the burners should be turned down to the low setting. Flare-ups can be extinguished by applying baking soda or salt directly onto the briquettes. Always protect your hands when handling anything near the cooking surface of the barbecue. Flare-ups occur more at the start of cooking, particularly with processed meat products, and it may be necessary to turn the burners down to their lowest setting to start

with and then turning up at a later stage in the cooking process. The barbecue should also not be overloaded. Some parts of the cooking area are hotter than others. The hottest areas will be above the burners which will be where the flare ups will normally start. By leaving free space you can simply move the food away from the flare up to a cooler area until the flare up has subsided.

If a fat fire should occur in the drip tray, turn all knobs to the off position, turn off the gas at the bottle, and wait for the fire to go out. Do not pull out the drip tray or douse with water.

H13. End of Cooking Session

After each cooking session, turn the barbecue burners to the "high" position and burn for 5 minutes. This procedure will burn off cooking residue, thus making cleaning easier. Make sure the hood or lid is open during this process.

H14. Turning Off Your Barbecue

When you have finished using your barbecue, turn all the control valves fully clockwise to the "Off" position, then switch off the gas at the bottle.

I. Care and Maintenance

Regularly clean your barbecue between uses and especially after extended periods of storage. Ensure the barbecue and its components are sufficiently cool before cleaning. Do not leave the barbecue exposed to outside weather conditions or stored in damp, moist areas.

- ▲ Never douse the barbecue with water when its surfaces are hot.
- ▲ Never handle hot parts with unprotected hands.

In order to extend the life and maintain the condition of your barbecue, we strongly recommend that the unit be covered when left outside for any length of time, especially during the winter months. Heavy-duty Outback® barbecue covers and other accessories are available from your local Outback® stockist.

Even when your barbecue is covered for its protection, it must be inspected on a regular basis as damp or condensation can form which may result in damage to the barbecue. It may be necessary to dry the barbecue and the inside of the cover. Any rust that is found that does not come into contact with the food should be treated with a rust inhibitor and painted with barbecue paint or a heat resistant paint. Wooden parts may

also need to be cleaned and re oiled. Chrome plated warming racks etc. should be coated with cooking oil.

I1. Porcelain Coated Cast Iron Cooking Surfaces

Clean with hot, soapy water. To remove any food residue, use a mild cream cleaner on a non-abrasive pad. Rinse well and dry thoroughly. We do not recommend cleaning grills and griddles in a dishwasher.

I2. Burner Maintenance

Provided that they are operating correctly, in normal usage, burning off the residue after cooking will keep the burners clean. The burners should be removed and cleaned annually, or whenever heavy build up is found, to ensure that there are no signs of blockage (fat, debris or insects for example), in either the burner portholes or the burner primary air inlet. Use a pipe cleaner to clear obstructions. When refitting the burners, be careful to check that the neck of the burner fits over the valve outlet.

Your burners have been preset for optimal flame performance. You will normally see a blue flame, possibly with a small yellow tip when the burner is alight. If the flame pattern is significantly yellow, this could be a problem caused by grease from cooking blocking the burner or spiders or other insects in the burner venturi. This can result in the flow of the gas and air mixture being restricted or blocked which may result in a fire behind the control panel causing serious damage to your barbecue. **If this happens, the gas should be immediately turned off at the bottle.** Burners should be inspected and cleaned on a regular basis in addition to the following conditions:

- Bringing the barbecue out of storage.
- One or more of the burners do not ignite.
- The burner flame pattern is significantly yellow.
- The gas ignites behind the control panel.

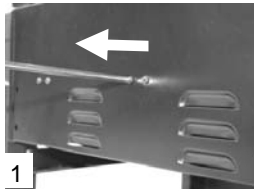
To clean a burner, remove it from the barbecue. The outside of the burner can be cleaned with a wire brush.

Clean the portholes with a pipe cleaner or piece of wire. Take care not to enlarge the portholes.

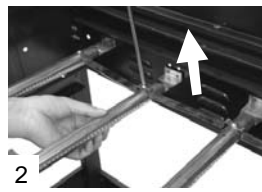
Clean the insect screen on the end of the venturi tube with a bristle brush (i.e. an old toothbrush).

Clean the venturi tube with a pipe cleaner or piece of wire. You may need a torch to see into the venturi tube to make sure it is clear.

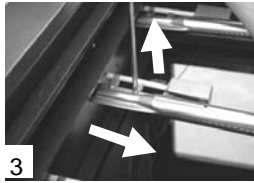
Turn the burner up on end and lightly tap against a piece of wood to dislodge any debris from inside.



1



2



3



4

13. Briquettes

Food residue can be removed from the briquettes by scraping or using a stiff brush. We do not recommend washing the briquettes.

14. Drip Tray

After every use, check the drip tray for fat build up in the sand. Discard any saturated sand and replace it with fresh sand. Failure to carry out this procedure can result in a fat fire in the tray. This can severely damage the barbecue and is not covered by the warranty. If the barbecue is being used for extended periods the burners should be turned off and the drip tray checked before the end of the cooking session.

15. Barbecue Body

Regularly remove excess grease or fat from the barbecue body with a soft plastic or wooden scraper. It is not necessary to remove all the grease from the body. If you need to clean fully, use hot soapy water and a cloth, or nylon-bristled brush only. Remove cooking surfaces and burners before full cleaning. Do not immerse the gas controls or manifold in water. Check burner operation after carefully refitting into body.

16. Barbecue Hood

Use a non-abrasive cloth or pad and clean with hot, soapy water. Do not use scouring pads or powders as they can permanently damage the finish. The inside of the hood will also need cleaning to prevent an excess build up of grease which can then turn to carbon and start to flake off. This can resemble paint flaking off but it is not as the hood is porcelain coated.

17. Trolley

Your trolley is manufactured using a hardwood suited to outdoor use, provided it is treated with Teak oil or similar after assembly and on a regular basis thereafter. Hardwood will naturally weather and change its appearance. It is quite natural for small cracks to appear on the surface of the wood.

18. Fixings

All screws and bolts, etc. should be checked and tightened on a regular basis.

19. Storage

Store your barbecue in a cool dry place. It must be inspected on a regular basis as damp or condensation can form which may result in damage to the barbecue. It may be necessary to dry the barbecue and the inside of the cover if used. Mould can grow under these conditions and should be cleaned and treated if required. Any rust that is found that does not come into contact with the food should be treated with a rust inhibitor and painted with barbecue paint or a heat resistant paint. Wooden parts may also need to be cleaned and re oiled. Chrome plated warming racks etc. should be coated with cooking oil. Wrap the burners in aluminium foil to help prevent insects or other debris from obstructing the burners.

The gas bottle must be always be disconnected from the barbecue and stored in a well ventilated area at least 1 metre away from any fixed ignition source. Do not store inside residential accommodation. Never store cylinders below ground level (e.g. cellars). Do not let children tamper with bottles.

J. Technical Specifications

	CE Approval	Heat Input	Burners	Injector Size	Gas / Pressure
Outback® Spectrum 2 Burner Hooded	0359 359AS128	7.87kW	2	1.02	Butane/28 -30mbar
Outback® Spectrum 3 Burner Hooded	0359 359AS128	11.8kW	3		Propane/ 37mbar
Countries of Use:					
I ₃₊ (28-30/37) BE, CY, CZ, EE, FR, GR, IE, IT, LV, LT, LU, PT, SK, ES, CH, GB, RO					
I _{3B/P(30)} BG, CY, CZ, DK, EE, FI, GR, LV, LT, LU, MT, NL, NO, SK, SI, SE, TR, IS					
I _{3B/P(50)} AT, DE, HU, SK, CH					
I _{3B/P(36)} PL					

Specifications are subject to change without prior notice.

K. Troubleshooting

Problem	Possible Cause	Solution
Burners will not light using the ignition system	LP gas bottle is empty	Replace with full bottle
	Faulty regulator	Have regulator checked or replace
	Obstructions in burners	Clean burners
	Obstructions in gas jets or gas hose	Clean jets and gas hose
	Electrode wire is loose or disconnected on electrode or ignition unit	Reconnect wire
	Electrode or wire is damaged	Change electrode and wire
Burner will not light with a match	Faulty integral ignitor	Change ignitor
	LP gas bottle is empty	Replace with full bottle
	Faulty regulator	Have regulator checked or replace
	Obstructions in burners	Clean burners
Low flame or flashback (fire in burner tube— a hissing or roaring noise may be heard)	Obstructions in gas jets or gas hose	Clean jets and gas hose
	LP gas bottle too small	Use larger bottle
	Obstructions in burners	Clean burners
	Obstructions in gas jets or gas hose	Clean jets and gas hose
	Windy conditions	Use BBQ in a more sheltered position
Gas valve knob difficult to turn	Integral ignition system jammed	Replace gas valve
	Gas valve jammed	Replace gas valve

For reference and correspondence, record your serial number here.
(See sticker on side of barbecue body.)

Serial No. _____

This number may be required when ordering spare parts or accessories. A part reference number may also be required where applicable.

OUTBACK UK LTD LIMITED 10 YEAR WARRANTY

OUTBACK barbecues are warranted to the original purchaser against defects in materials and workmanship. Porcelain coated barbecue bodies, porcelain coated roasting hoods and stainless steel roasting hoods are warranted for a period of ten (10) years from the date of purchase. Stainless steel burners are warranted for a period of two (2) years from the date of purchase. OUTBACK UK will, within this period, supply replacements for defective parts free of charge provided that:

- ◆ The product has not been used for trade, professional or hire purposes.
- ◆ The product has not been subjected to misuse or neglect, including fat fires and flare ups or use of a faulty or incorrect regulator.
- ◆ The product has not sustained damage through foreign objects, substances or accidents.
- ◆ The care and maintenance instructions given in your Outback manual have been followed.

This warranty is offered as an extra benefit and is in addition to the customers' statutory rights.

Outback UK does not warranty in any way the gas cylinder.

If you have any queries regarding the assembly or use of your barbecue please contact Outback UK

In the unlikely event that you experience problems with this barbecue, please contact:

Customer Service
Outback UK
Unit 2 Farleigh Hill
Tovil
Maidstone
Kent ME15 6RG

Tel: 01622 671771

Fax: 01622 673101

e-mail: customerservice@outbackuk.com

website: www.outbackuk.com

Published November 2007